

Seawater Pro WaterMakers

Don't plan your trip around water!



INCLUDES EVERYTHING YOU NEED TO MAKE WATER!

Sealed boost pump made in U.S.A.

5 Micron Filter

Washguard stainless steel motor

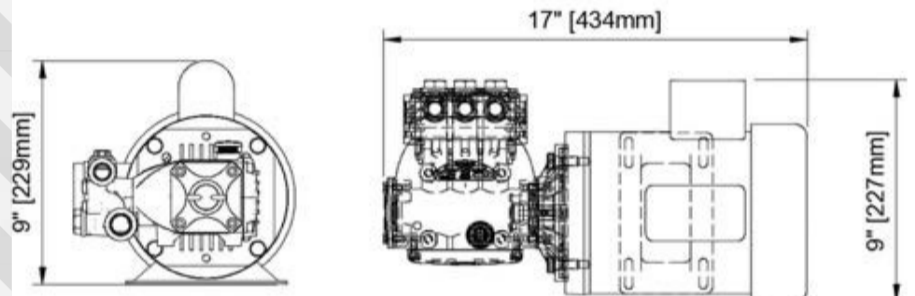
Dual Membranes 24 GPH/90 LPH

3/16" stainless constant flow regulator

Real time water quality analyzer

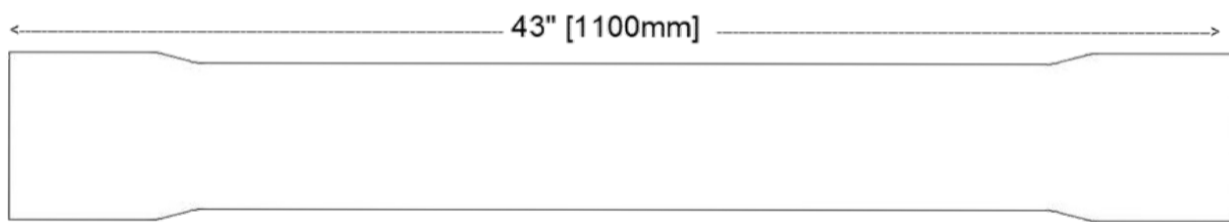
Fresh water flow meter

15' Tubing

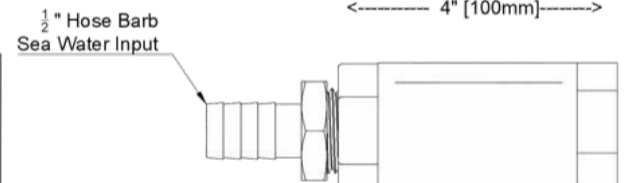


Motor and Pump Assembly

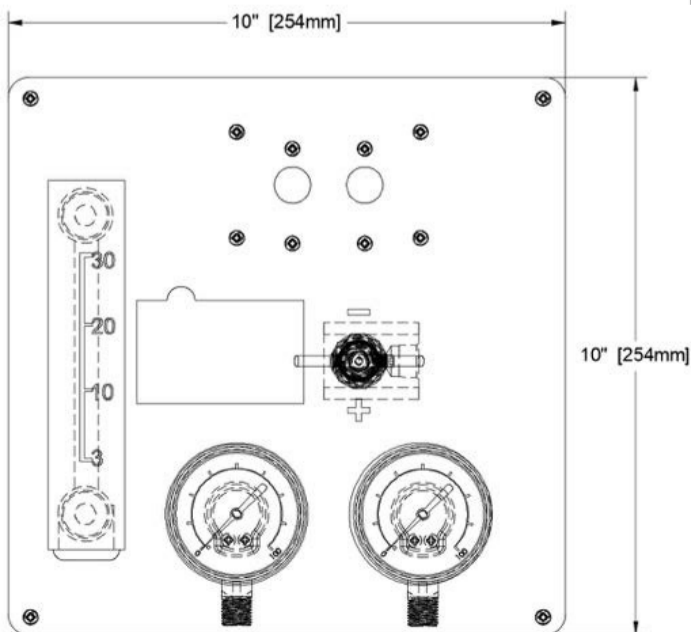
MODULAR SERIES



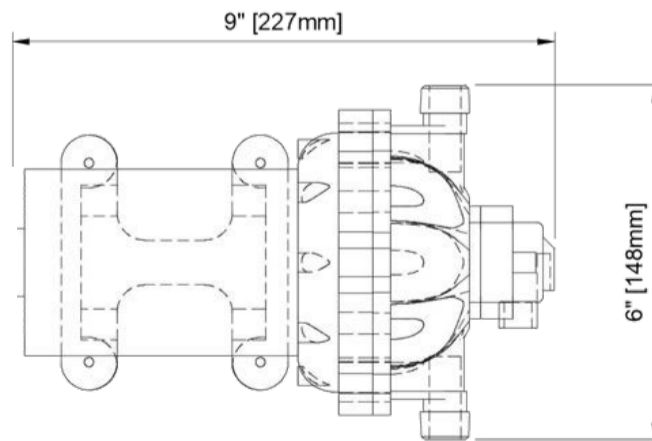
Single Membrane Vessel



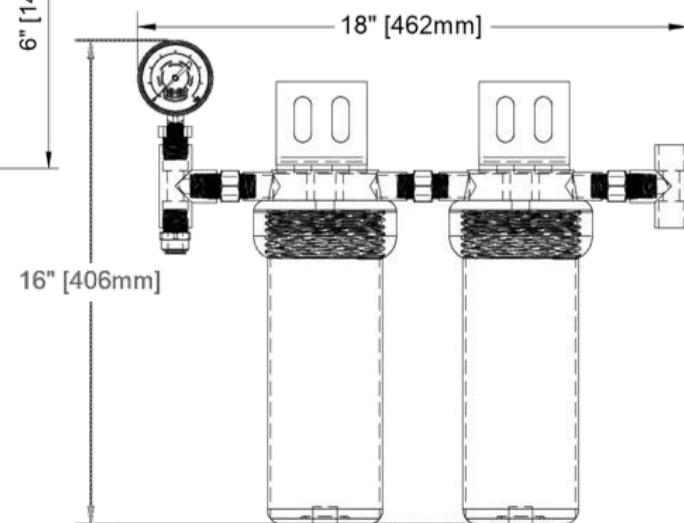
Sea Strainer



Remote Control Panel



12 volt Boost Pump



Pre-Filtration Assembly

Modular Series	Per Hour Gallons / Liters	Voltage	Running Amps	Watts	HZ	Phase	HP	Price
M100-12	17/65	12	55	660	DC	DC	1	\$2,995
M100-24	17/63	24	27	650	DC	DC	1	\$3,295
M100-AC	21/80	110/220	12/6	1320	50/60	1	1	\$2,995
M200-AC	40/145	110/220	12/6	1320	50/60	1	1	\$3,495
M300-AC	60/227	110/220	21/10	2300	50/60	1	2.5	\$4,495

Optional Remote Control Panel with Beakers and Gauges \$495.00

EWM STAINLESS SERIES

NEW NICKEL-PLATED CRANKCASE DESIGN!
Increases corrosion resistance

NEW OIL SEAL!
Better oil/water sealing

INLET/OUTLET VALVE PLUGS
316L Stainless Steel

NEW OPTIMIZED INLET AND OUTLET VALVES!
Better volumetric efficiency

NEW!
Intermediate ring and packing retainer in 316L Stainless Steel

NEW PLUNGER FASTENING SYSTEM!
Eliminates the risk of pressure build-up inside the plunger.

NEW 316L STAINLESS STEEL MANIFOLD DESIGN!
Increased corrosion resistance

NEW NICKEL-PLATED CRANKCASE DESIGN!
Increases corrosion resistance

Increased sliding surface of the plunger guide means better stability of the guide and reduced wear

Large diameter of sight glass means easier oil checking

Oil dipstick with breather!

NEW DESIGN! OVERSIZED
Connecting rods reduce specific pressure and better lubrication

Large oil capacity means better cooling and lubrication

NEW OVERSIZED PLUNGER GUIDE!

Oversized bearing

High strength forged crankshaft
(shown with solid shaft - also available with 56C flange)

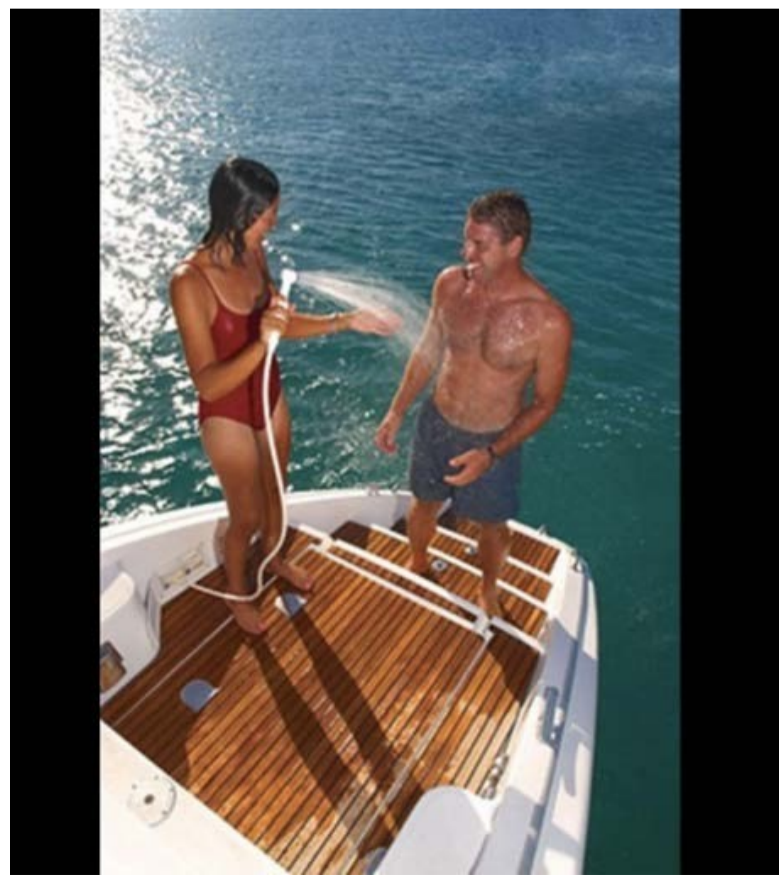
Oversized wrist pin

DWH DOUBLE WALL HOUSING
PATENTED!
Increased structural rigidity

NEW! Dust protection chamber between crankcase and manifold

NEW! Solid ceramic plungers

These Pumps are 100% Made in Italy



Seawater Pro
Water makers

Address:

1308 SW 1st Ave Fort Lauderdale, FL
33315

Telephone:

1(954) 800-8800

Email:

Seawaterprollc@gmail.com